



EFL 302

Li-ion Counterbalance Forklift Truck 3.0T **LI-ION** TECHNOLOGY

- IC forklift design with li-ion technology
- Big tyres & high ground clearance
- Simple components for easy service & maintenance
- Li-ion battery for opportunity charging & flexibility
- Outdoor & indoor: the most flexible forklift in the industry

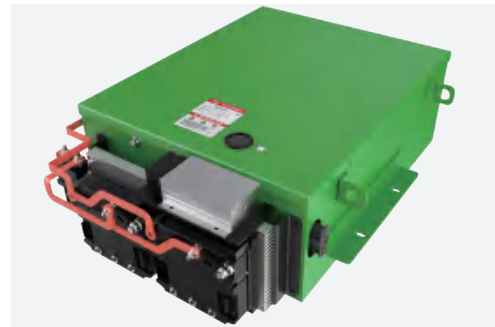
EP EQUIPMENT CO.,LTD
www.ep-ep.com



FEATURE

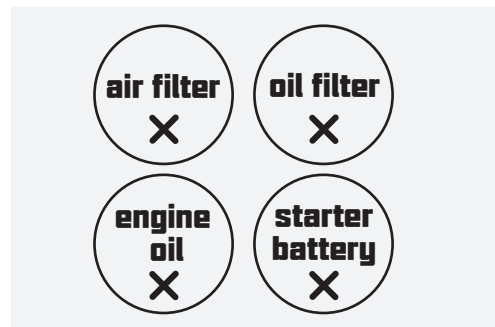
■ Lithium-ion technology

EFL 302 adapts LFP Li-ion battery that prevents the battery from self-ignition and ensures safety operation. EFL 302 supports opportunity charging so it can be charged at preferable time during the day without disrupting working schedules.



■ Low TCO

Comparing to a diesel forklift truck, EFL 302 saves 30%-50% of energy cost with li-ion technology. And there is no maintenance fee with no air filter, oil filter, engine oil or starter battery installed on the truck.



■ Easy driving

The truck is equipped with electric-hydraulic braking system. The system shortens the braking distance to ensure safety while reducing the driving fatigue in the meantime.



■ Brilliant visibility

A wide view mast ensures good visibility during operation. This enables operator to better monitor the status of the cargo.



■ Telematics

EFL 302 offers EP's latest Telematics. It provides the following features to facilitate your fleet management:

- Truck location in real-time
- Reports of truck usages and diagnosis
- Li-ion battery condition analytics
- Updates on card access registration

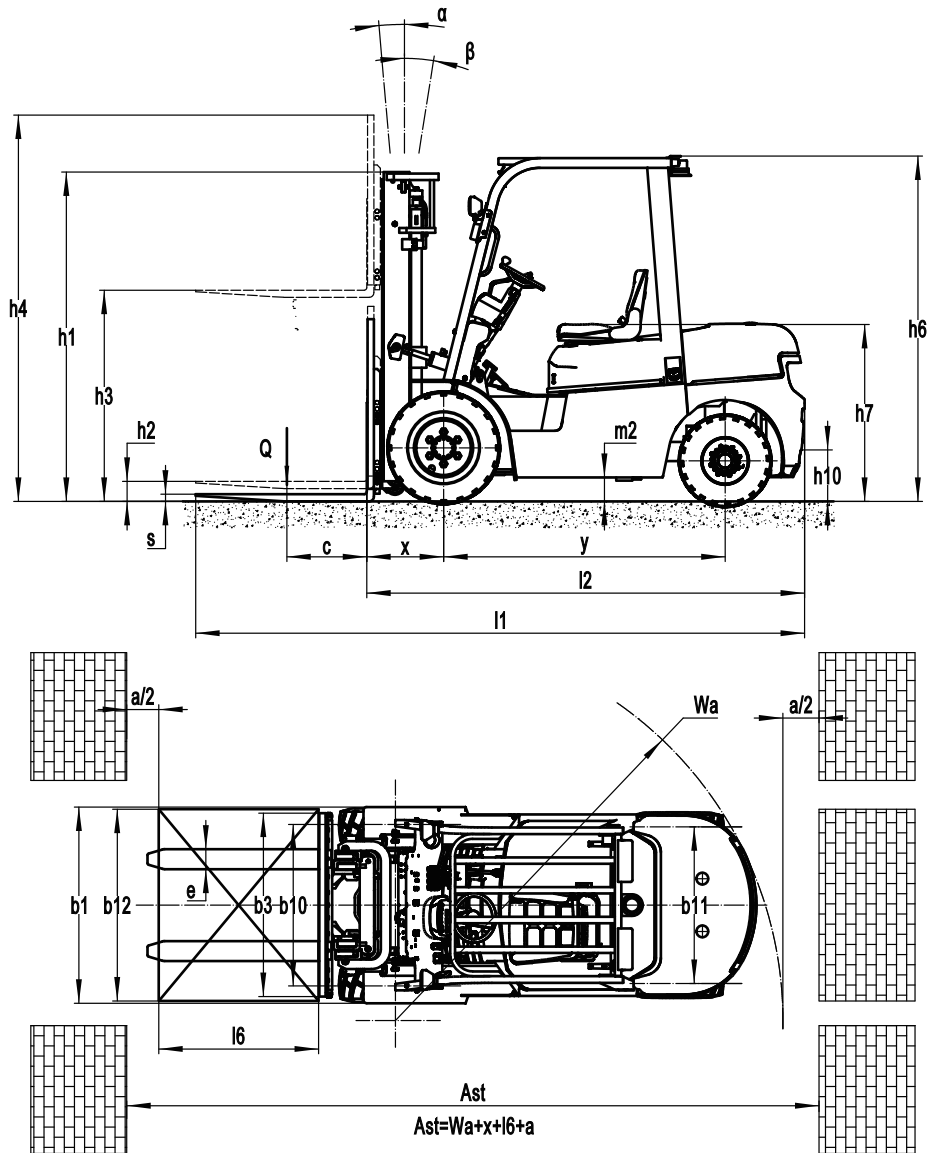


Electric Counterbalance Forklift Truck 3.0T

EFL 302

Distinguishing mark				
1.1	Manufacturer			EP
1.2	Model designation			EFL302
1.3	Drive unit			Electrics
1.4	Operator type			Seated
1.5	rated capacity	Q	t	3
1.6	Load center distance	c	mm	500
1.8	Load distance, centre of drive axle to fork	x	mm	495
1.9	Wheelbase	y	mm	1750
Weight				
2.1	Service weight (include battery)		kg	4280
2.2	Axle loading, laden driving wheels /steering wheels		kg	6700/580
2.3	Axle loading, unladen driving wheels /steering wheels		kg	1990/2290
Types,Chassis				
3.1	Tyre type,driving wheels /steering wheels			Solid
3.2	Tyre size, driving wheels			28X9-15
3.3	Tyre size, steering wheels			6.50-10
3.5	Wheels, number driving/steering (x=drive wheels)		mm	2x/ 2
3.6	Tread, Driving wheels	b ₁₀	mm	1010
3.7	Tread, Steering wheels	b ₁₁	mm	980
Dimensions				
4.1	Tilt of mast/fork carriage forward/backward	α/ β (°)		6/ 6
4.2	Height, mast lowered	h ₁	mm	2280
4.3	Free lift (load backrest)	h ₂	mm	915
4.4	Lift height	h ₃	mm	4800
4.5	Height, mast extended	h ₄	mm	6050
4.7	Height of overhead guard (cabin)	h ₆	mm	2160
4.8	Seat height	h ₇	mm	1130
4.12	Tow center of pin height	h ₁₀	mm	320
4.19	Overall length	l ₁	mm	4020
4.20	Length to face of forks	l ₂	mm	2810
4.21	Overall width	b _{1/} b ₂	mm	1230
4.22	Fork dimensions	s/ e/ l	mm	45x125x1200
4.23	Fork carriage class/type A, B			3A
4.24	Fork carriage width	b ₃	mm	1150
4.31	Ground clearance, laden, below mast	m ₁	mm	120
4.32	The minimum ground clearance of frame	m ₂	mm	150
4.34.1	Aisle width for pallets 1000 x 1200 crossways	A _{st}	mm	4495
4.34.2	Aisle width for pallets 800 x 1200 lengthways	A _{st}	mm	4495
4.35	Turning radius	W _a	mm	2600
Performance data				
5.1	Travel speed, laden/ unladen		km/ h	11/12
5.2	Lifting speed, laden/ unladen		m/ s	0.23/0.35
5.3	Lowering speed, laden/ unladen		m/ s	0.4/0.43
5.8	Max. gradeability, laden/unladen		%	15/15
5.10	Service brake type			Mechanics+ Hydraulic
	park brake type			Mechanics
Electric-engine				
6.1	Drive motor rating S2 60 min		kW	10
6.2	Lift motor rating at S3 15%		kW	12
6.3	The maximum allowed size battery		mm	705X 565X266
6.4	Battery voltage/nominal capacity K5			80V205AH
6.5	Battery weight		kg	
Addition data				
8.1	Type of drive unit			AC
10.5	Steering type			hydraulic
10.7	Sound pressure level at the driver's ear		dB (A)	< 74

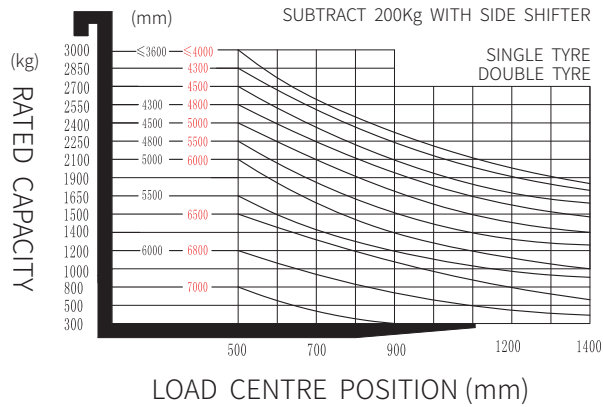
If there are improvements of technical parameters or configurations, no further notice will be given.
The diagram shown may contain non-standard configurations.



Mast Option

Type	Model	Max. fork height	Overall height				Free lift		Front Overhang	Tilt range		Capacity	
			Lowered	Extended		Without backrest	With backrest	FWD		BWD	Load capacity at 500 mm		
				Without backrest	With backrest						Single tire	Double tire	
													3.0t
mm	mm	mm	mm	mm	mm	mm	Deg	Deg	kg	kg			
Wide view mast	2W200	2000	1570	2570	3250	120	120	481	6	10	3000	3000	
	2W250	2500	1820	3070	3750	120	120	481	6	10	3000	3000	
	2W270	2700	1920	3270	3950	120	120	481	6	10	3000	3000	
	2W300	3000	2070	3570	4250	120	120	481	6	10	3000	3000	
	2W330	3300	2220	3690	4370	120	120	481	6	10	3000	3000	
	2W350	3500	2320	3890	4570	120	120	481	6	10	3000	3000	
	2W360	3600	2370	3990	4670	120	120	481	6	10	3000	3000	
	2W400	4000	2620	4040	4720	120	120	481	6	10	2850	3000	
	2W430	4300	2770	4340	5020	120	120	481	6	6	2700	2900	
2W450	4500	2870	4290	4970	120	120	481	6	6	2550	2850		
wide view full 2-stage mast	2F250	2500	1805	2220	2900	1210	560	481	6	10	3000	3000	
	2F270	2700	1905	2320	3000	1310	660	481	6	10	3000	3000	
	2F300	3000	2055	2620	3300	1460	810	481	6	10	3000	3000	
	2F330	3300	2205	3870	4550	1610	960	481	6	10	3000	3000	
	2F360	3600	2355	4020	4700	1760	1110	481	6	10	3000	3000	
	2F400	4000	2605	4420	5100	2060	1410	481	6	10	2850	3000	
wide view full 3-stage mast	3F430	4300	2095	4910	5570	1360	730	495	6	6	2550	2850	
	3F450	4500	2175	5070	5750	1460	810	495	6	6	2400	2700	
	3F480	4800	2280	5375	6050	1565	915	495	6	6	2250	2550	
	3F500	5000	2365	5570	6250	1610	960	495	6	6	1650	2250	
	3F550	5500	2615	6150	6830	1770	1120	495	3	6	1800	2250	
	3F600	6000	2865	6570	7250	2020	1370	495	3	6	1200	2100	

RATED CAPACITIES AND LOAD CENTERS GRAPH



Option

Options			EFL302
1	Fork length		○
2	Fold fork		—
4	Import battery		—
5	Solid rubber tire		○
6	Environmental solid tire		○
7	Cold storage		—
8	Lateral change battery		—
9	fork weighing system		—
10	Overhead guard		○
11	Mast options		○
12	Attachments		○
13	Built in side shift		○
14	Proportional valve		—
17		LED front light	○
28	Light	Back light	○
22		Warning light	●
18	Fire extinguisher		○
20	Seat		○
21	Seat switch		○
23		With fan heater	○
25	Cockpit	With front windshield wiper	○
26		With rear windshield wiper	○
16		Cockpit	○
24	Double front wheel		○
27	Rearview		○
29	OPS system		○
30	Backrest width		○
32	Air fan		○
33	Charging voltage		○
35	Drive-in Rack		○

Note: ● standard ○ option — NA